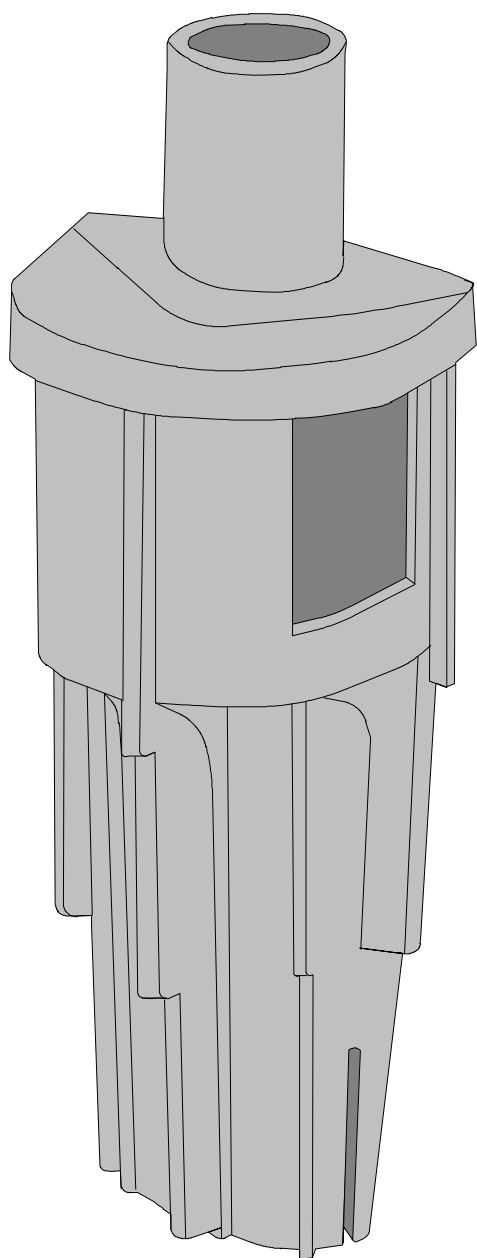


Mr. Drain™

UNIVERSAL AIR GAP DRAIN



Order #: AG100-001

Part #: (34700)

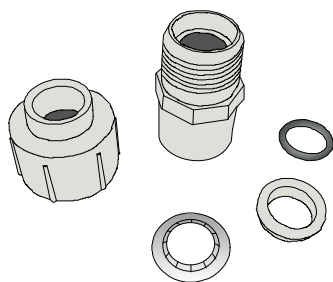
Features

- Fits 1 1/2" or 2", metal or plastic, standpipes. Unit housing length is 5 1/2" (13.97 cm)
- Recommended usage 1 to 7 G.P.M.(3.7 to 26.5 Liters/minute). Tested at 15 G.P.M (56.8 Liters/minute)
- Designed to allow soft rubber washer hose or washer metal drain hook to share the same standpipe
- Inlet port fits 1/2" SCH 40 PVC slip fittings or our own couplings shown below
- Provides more than twice the code required minimum air gap opening
- Can be mounted at 3 different levels
- UPC® listed

Note

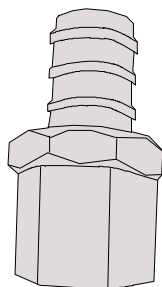
You can install two Mr. Drain units back to back on the 1 1/2" or 2" standpipes if your need is greater than 7 GPM. You would need to split the incoming water so that approximately half of the inflow would be passing through each Mr. Drain air gap unit. A molded plastic barb fitting 5/8" O.D. would push into each inlet port.

Accessories



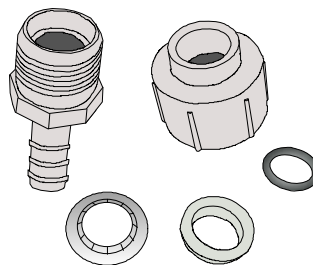
Order #: AG170-003

211213S, COUPLING ADAPTER, 1/2" SLIP X 5/8" O.D COMP. FOR AG200 SERIES/AG100 /AG150 SERIES INLET CONNECTION



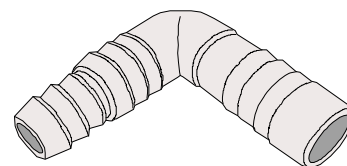
Order #: AG170-005

51024, WHITE 5/8" ID INSERT BARB X 1/2" PVC SLIP FOR AG 100 SERIES INLET PORT



Order #: AG170-006

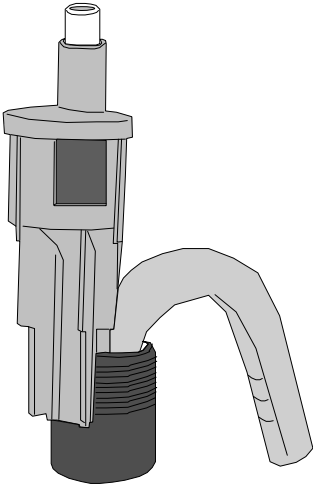
211217, 1/2" INSERT BARB X 5/8" O.D. COMPRESSION COUPLING FOR AG100 SERIES INLET CONNECTION



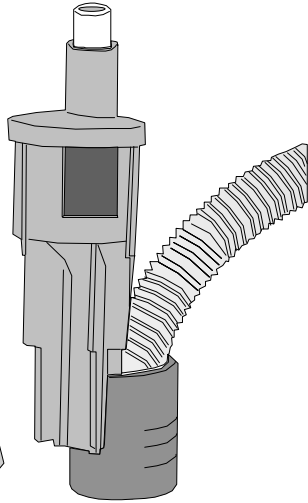
Order #: AG170-008

8504, DUAL BARB ELBOW FOR AG100/AG130-001 INLET CONNECTION, 1/2" INSR BARB X 1/2" ID /5/8" ID INSERT

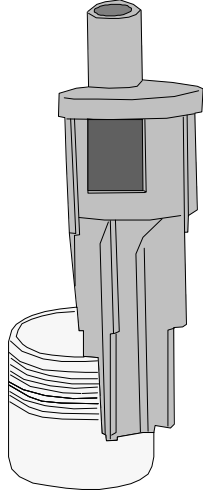
Applications



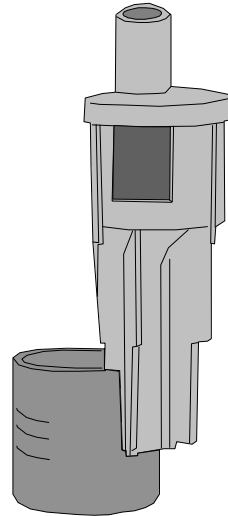
Mr. Drain mounted on a 1 1/2" metal pipe with metal washer drain hook.



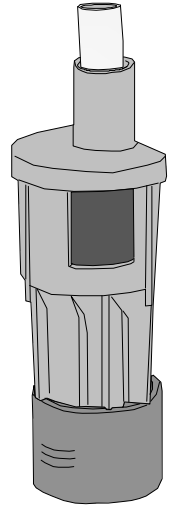
Mr. Drain sharing 1 1/2" plastic standpipe with washing machine waste hose.



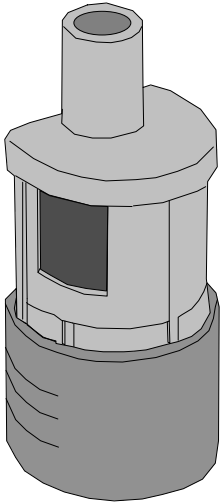
Mr. Drain mounted on a 2" metal pipe.



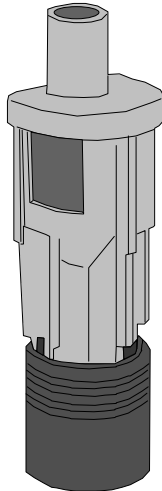
Mr. Drain mounted on a 2" plastic pipe.



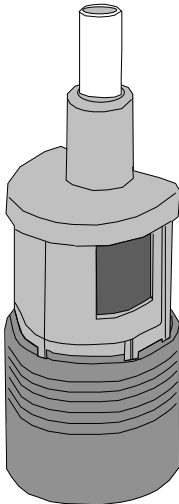
Mr. Drain inside a 1 1/2" plastic pipe.



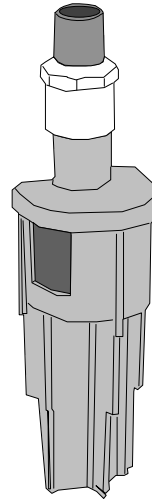
Mr. Drain inside a 2" plastic pipe. Accepts 5/8" I.D. poly tubing.



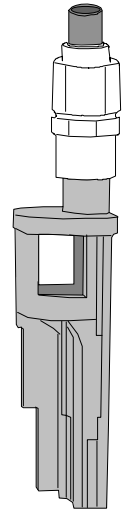
Mr. Drain inside a 1 1/2" metal pipe.



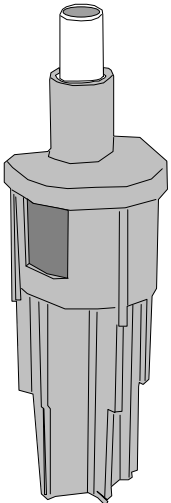
Mr. Drain inside a 2" metal pipe.



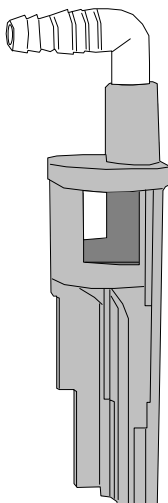
Mr. Drain with AG170-005 fitting (accepts 5/8" I.D. poly tubing).



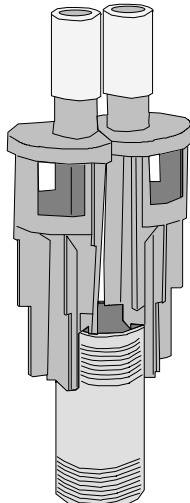
Mr. Drain with AG170-003 coupling (accepts 5/8" O.D. poly tubing), also accepts 1/2" PVC slip fittings.



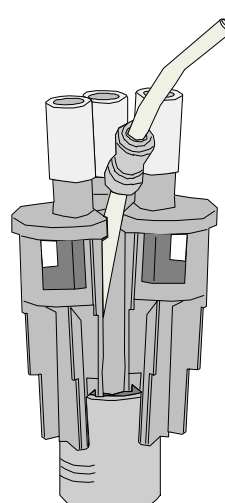
Mr. Drain with tube inside inlet port. 5/8" O.D. poly tubing fits snugly inside Mr. Drain's inlet port.



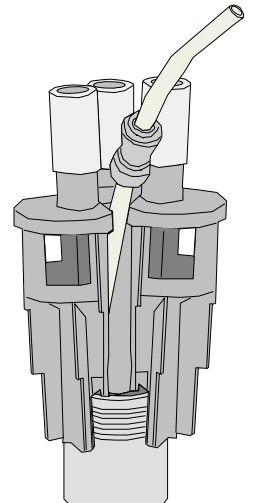
Mr. Drain with dual barb elbow AG170-008 that fits 1/2" and 5/8" I.D. poly tubing.



2 Mr. Drain mounted on a 1 1/2" metal pipe.



3 Mr. Drain mounted on a 2" plastic pipe.



3 Mr. Drain mounted on a 2" metal pipe.